



Peelers Vegetable Peeler, 10 kg - Abrasive Plate

ITEM # _____

MODEL # _____

NAME # _____

SIS # _____

AIA # _____



603509 (DT10E1) 10 kg vegetable peeler.
Abrasive plate

603510 (DT10E324) 10 kg vegetable peeler.
Abrasive plate

Short Form Specification

Item No. _____

Constructed in stainless steel with a transparent lid in special high resistant plastic. The removable rotating plate is covered with a removable rotating plate covered in very resistant abrasive material (silicon carbide). Flat and waterproof (IP55) control panel with programmable timer and low voltage level. An interlocking safety magnetic devices will stop the machine from operating when the lid or unloading door is opened. Removable water jet device is fitted as standard to facilitate cleaning. Supplied with abrasive plate.

APPROVAL: _____

Main Features

- Transparent lid in damage-resistant plastic material allows visibility during peeling cycle.
- Supplied with:
-abrasive plate
- Removable rotating plate covered in very resistant abrasive material (silicon carbide).
- Peels are reduced to small pieces to facilitate drainage process.
- Pulse function to control the unloading operation.
- Removable water inlet, clipped to the cover, designed to serve as a spray to clean the machine.
- Timer with countdown display.
- Magnetic detectors will stop the machine from operating when the lid and/or door are opened.
- Suitable for 50-200 meals per service.

Construction

- Complete stainless steel construction.
- IP55 waterproof touch button control panel.
- Transparent BPA free cover incorporates a magnetic safety system which stops the machine if lid is not properly closed.

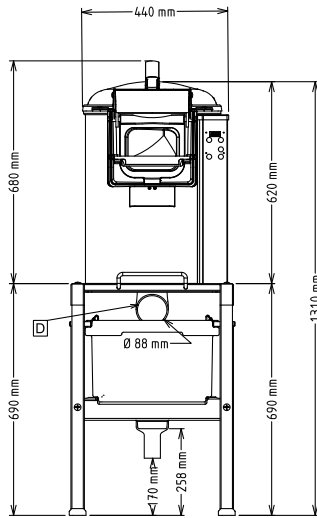
Included Accessories

- 1 of ABRASIVE PLATE FOR 10/15KG VEG.PEELER PNC 653203

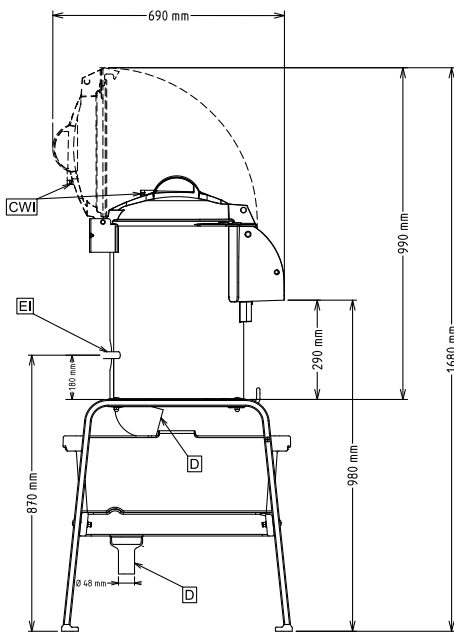
Optional Accessories

- WASHING PLATE FOR 10/15KG VEG.PEELER PNC 653058
- ABRASIVE PL.-SMALL ONIONS-10/15KG PEELER PNC 653184
- ABRASIVE PLATE FOR 10/15KG VEG.PEELER PNC 653203
- KNIFE PLATE FOR 10/15 VEG.PEELER PNC 653204
- ABRASIVE PL.-LARGE ONIONS-10/15KG PEELER PNC 653205
- DRYING BASKET FOR 10KG VEGETABLE PEELER PNC 653208
- S/S SEASHELL PLATE - 10/15KG VEG.PEELERS PNC 653620
- FILTER TABLE+SHELF-ASSEMB-5/10/15KG PEELER PNC 653783
- FILTER TABLE+SHELF-5/10/15KG VEG. PEELERS PNC 653784

Front



Side

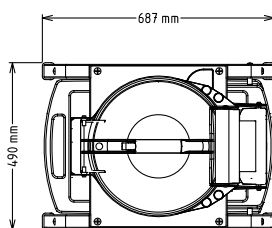


CWI = Cold Water inlet 1

D = Drain

EI = Electrical inlet (power)

Top



Electric

Supply voltage:

603509 (DT10E1)

220-240 V/1N ph/50/60 Hz

200-240/380-440 V/3

603510 (DT10E324)

ph/50/60 Hz

Electrical power max.:

0.37 kW

Total Watts:

0.37 kW

Capacity:

Performance (up to):

160 kg/Cycle

Capacity:

10 litres

Key Information:

External dimensions,

Width:

440 mm

External dimensions,

Depth:

690 mm

External dimensions,

Height:

680 mm

Shipping weight:

603509 (DT10E1)

47 kg

603510 (DT10E324)

45 kg